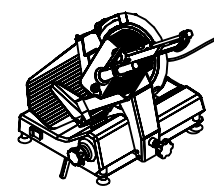
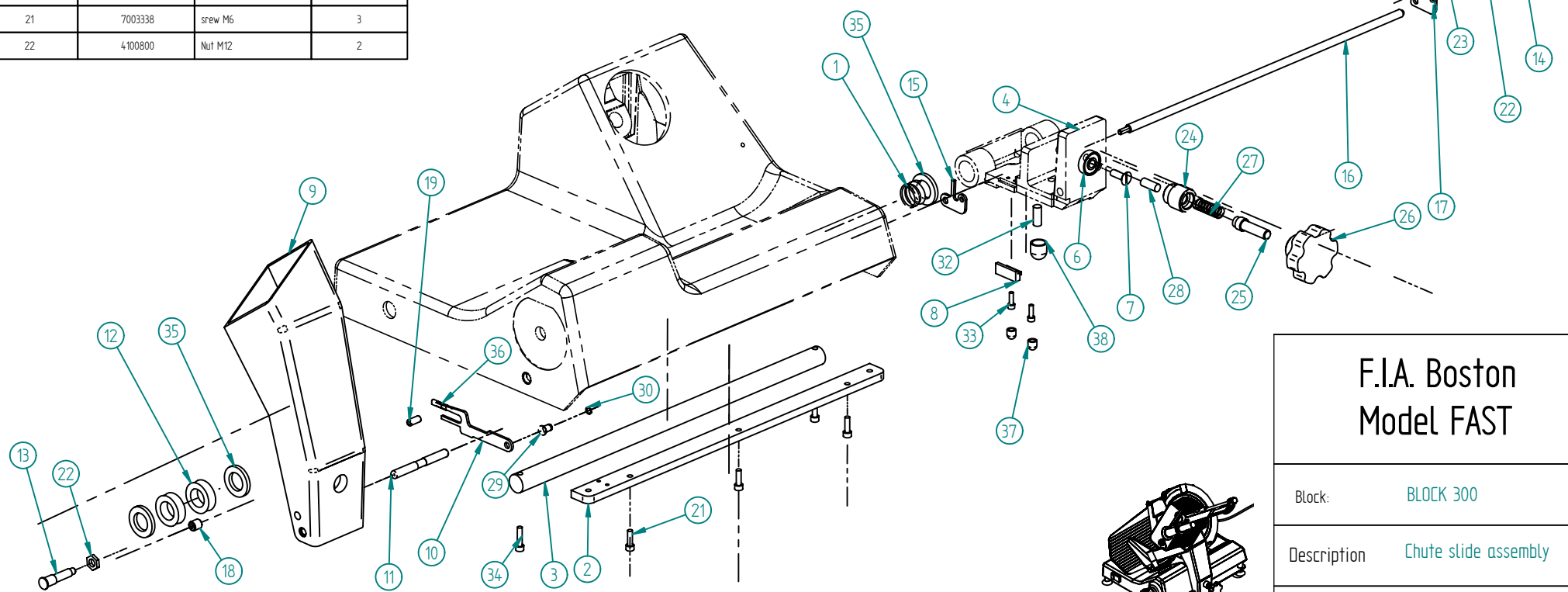
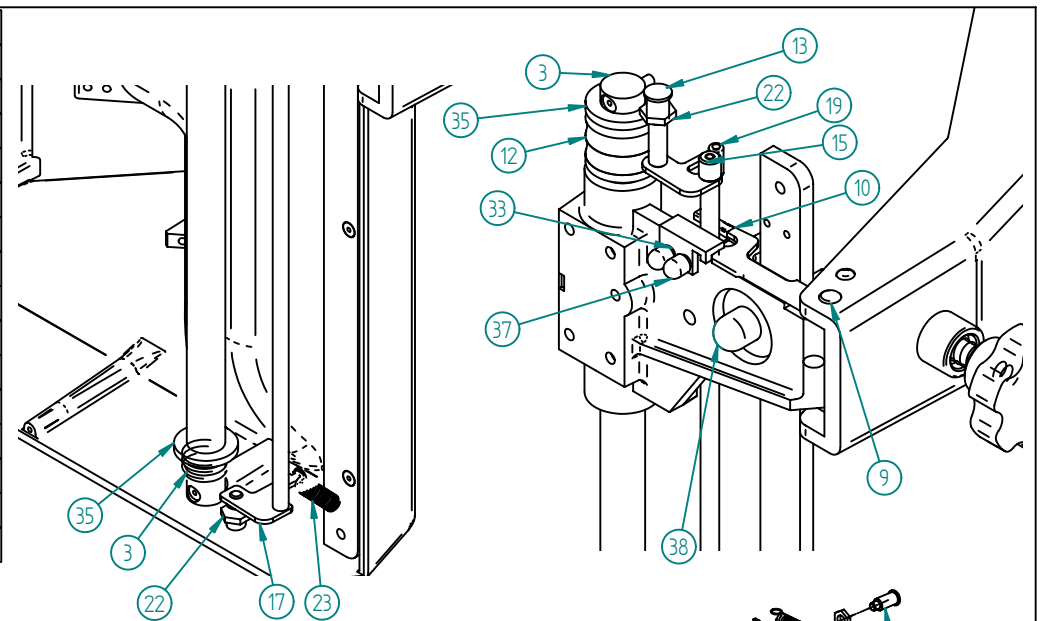


Ref #	Part #	Description	Quantity	Ref #	Part #	Description	Quantity
1	3031235	spring	1	23	3031266	spring 2	1
2	4070309	Slide carriage	1	24	4100086	Arm's bush	1
3	4070209	Bar carriage slide	1	25	4101035	Arm 's pivot	1
4	4010043	Support carriage arm	1	26	4020305	Knob	1
6	3030323	Bearing nylon	1	27	3031223	Spring	1
7	7001357	screw M8	1	28	7001769	Stud M10	1
8	405CB24	Block's barring gear	1	29	4100866	Blocking's pivot	1
9	4020052	Carriage arm	1	30	7003608	Seeger, circlip	1
10	405FC10	barring gear plate	1	32	4100195	Stud	1
11	4100253	Arm 's pivot	1	33	7003035	screw M5	2
12	3030502	Rubber washer	2	34	7003339	screw M6	2
13	4100872	Shaft bar	1	35	3030504	rubber washer	3
14	4100870	Shaft bar	1	36	3040710	rubber	1
15	405FC08	Blocking's plate	1	37	3031335	Cap screw	2
16	4100032	Blocking's bar	1	38	3031328	Cap screw	1
17	405FC06	Blocking's plate	1				
18	4100860	Blocking's bush	1				
19	4100332	Pivot	1				
21	7003338	screw M6	3				
22	4100800	Nut M12	2				



F.I.A. Boston Model FAST	
Block:	BLOCK 300
Description	Chute slide assembly
Date	03/08/2004