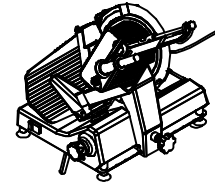
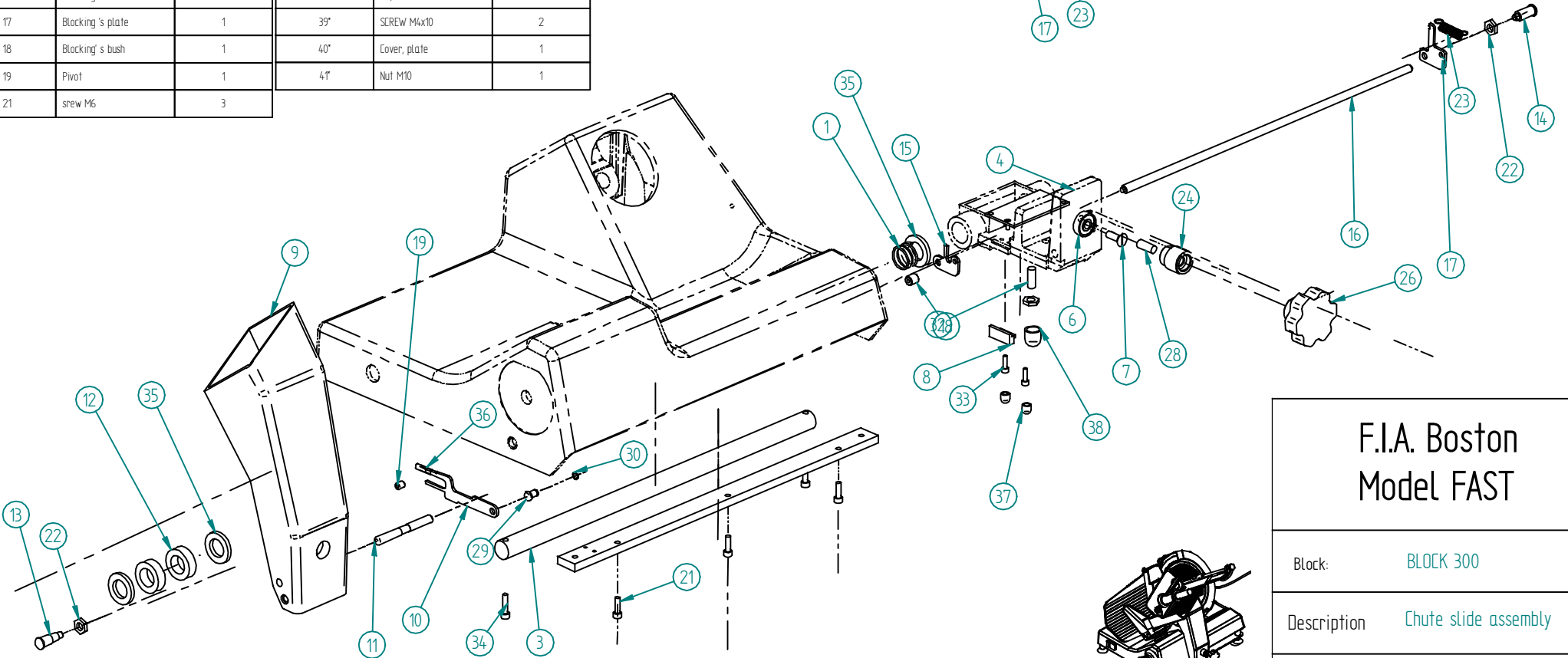
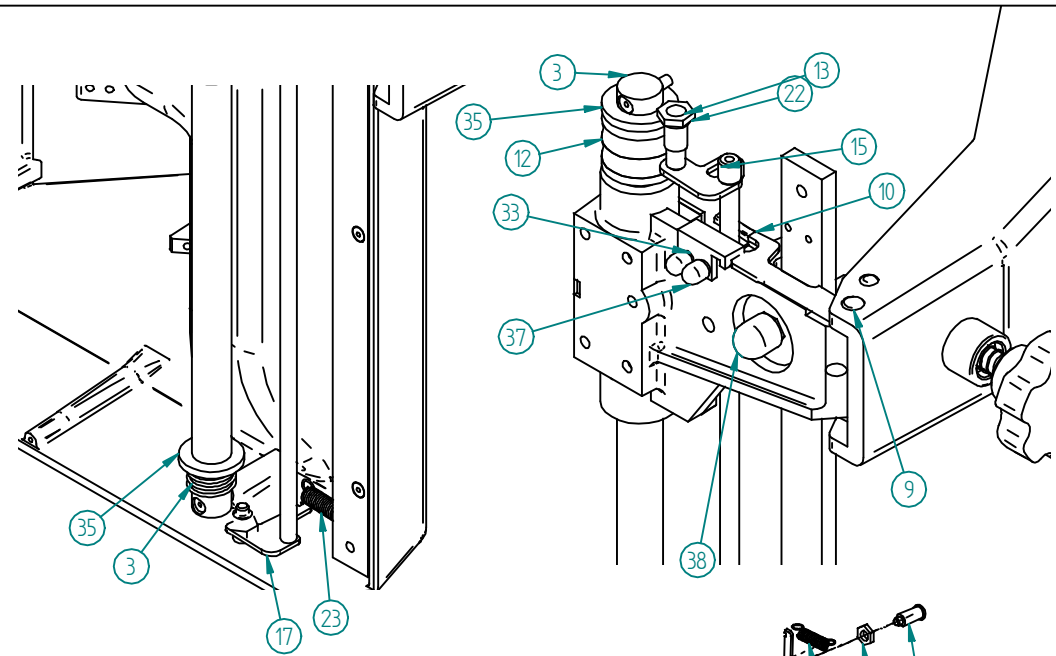


| Ref # | Description | Quantity | Ref # | Description | Quantity |
|-------|---|----------|-------|------------------|----------|
| 1 | spring | 1 | 22 | Nut M12 | 2 |
| 2 | Slide carriage eliminato raccordo per costi | 1 | 23 | spring 2 | 1 |
| 3 | Bar carriage slide | 1 | 24 | Arm's bush | 1 |
| 4 | Support carriage arm | 1 | 25 | Arm 's pivot | 1 |
| 6 | Bearing nylon | 1 | 26 | Knob | 1 |
| 7 | screw M8 | 1 | 27 | Spring | 1 |
| 8 | Block's barring gear | 1 | 28 | Stud M10 | 1 |
| 9 | Carriage arm | 1 | 29 | Blockings' pivot | 1 |
| 10 | barring gear plate | 1 | 30 | Seeger, circlip | 1 |
| 11 | Arm' s pivot | 1 | 32 | Stud | 1 |
| 12 | Rubber washer | 2 | 33 | screw M5 | 2 |
| 13 | Shaft bar | 1 | 34 | screw M6 | 2 |
| 14 | Shaft bar | 1 | 35 | rubber washer | 3 |
| 15 | Blockings' plate | 1 | 36 | rubber | 1 |
| 16 | Blockings' bar | 1 | 37 | Cap screw | 2 |
| 17 | Blockings' plate | 1 | 38 | Cap screw | 1 |
| 18 | Blockings' bush | 1 | 39* | SCREW M4x10 | 2 |
| 19 | Pivot | 1 | 40* | Cover, plate | 1 |
| 21 | screw M6 | 3 | 41* | Nut M10 | 1 |



| | |
|-------------------------------------|----------------------|
| F.I.A. Boston Model FAST | |
| Block: | BLOCK 300 |
| Description | Chute slide assembly |
| Date | 10/03/2005 |